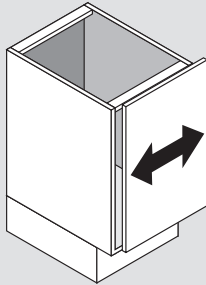
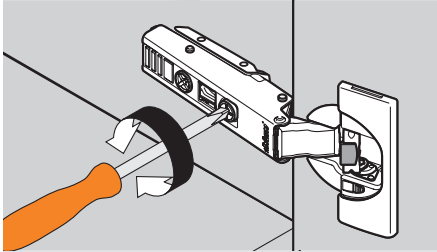


Three-dimensional adjustment

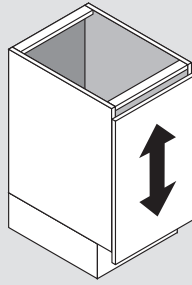
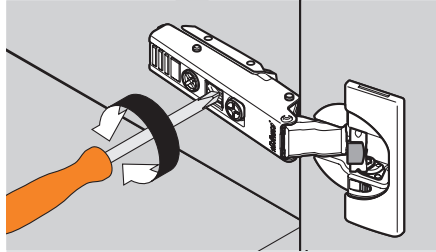
Side adjustment

Rotate front screw to increase or decrease door overlay (± 2 mm)



Height adjustment

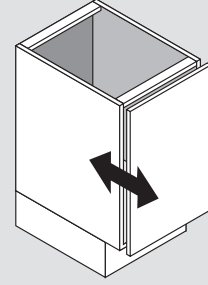
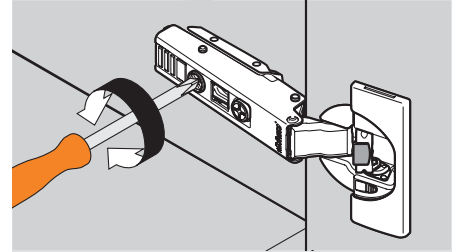
Rotate cam screw on mounting plate to adjust door position (± 2 mm)



NOTE: On non-cam mounting plates, loosen screws, adjust door and retighten screws

Depth adjustment

Rotate rear spiral tech cam screw to adjust door gap ($+3$ mm, -2 mm)

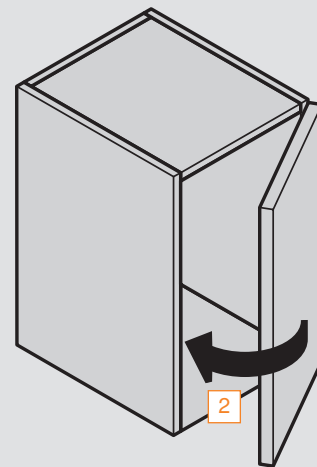
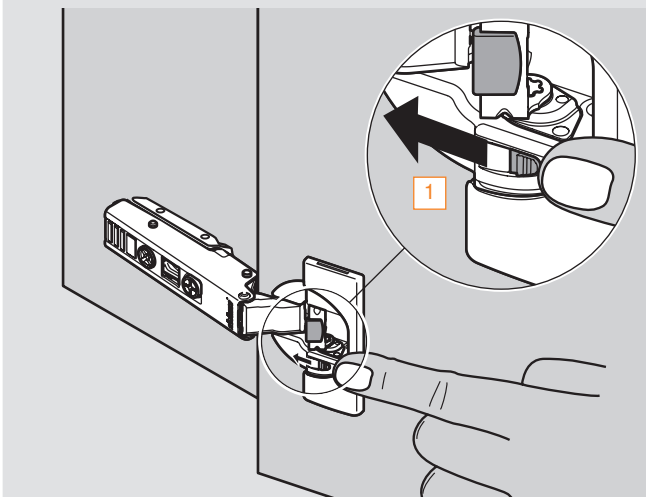


BLUMOTION deactivation

Deactivation switch on hinge cup

For small or light doors, the BLUMOTION can be deactivated on one of the hinges

Door must be closed once for the deactivation to be complete. To reactivate, move switch back to original position.



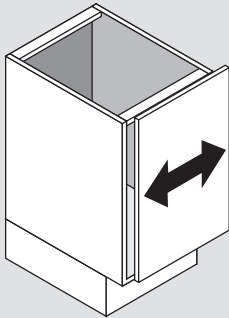
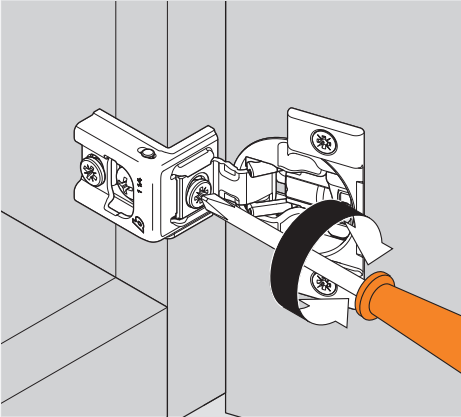
i Temperature information

CLIP top BLUMOTION is designed to be used at temperatures between 65° and 85°F. Lower or higher temperatures will not cause damage to the hinge, however they will affect the closing speed. Once the temperature returns to the suggested range the hinge will return to its optimal closing action.

Three-dimensional adjustment

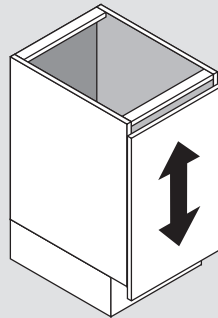
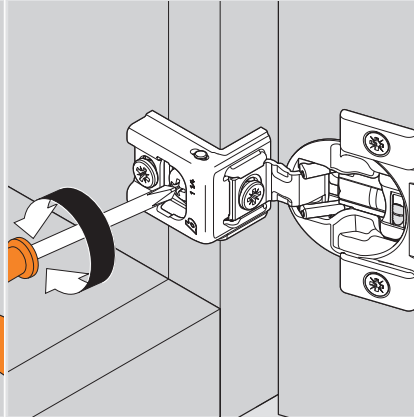
Side adjustment

Rotate the front cam screw to increase or decrease door overlay ($\pm 1/16"$)



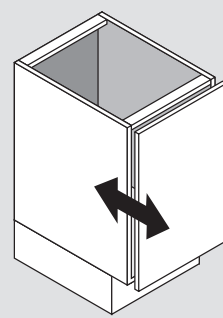
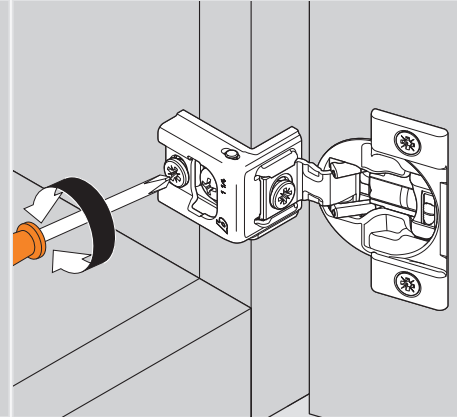
Height adjustment

Loosen installation screws to adjust door position ($\pm 1/8"$), then retighten



Depth adjustment

Rotate the rear cam screw to adjust door gap ($+ 3/32"$, $- 1/32"$)



BLUMOTION deactivation

Deactivation switch on the hinge cup

For small or light doors, the BLUMOTION can be deactivated on one of the hinges. COMPACT BLUMOTION comes in the activated position, marked with a "I". The deactivated position is marked with a "0".

Door must be closed once for the deactivation to be complete. To reactivate, move switch back to the original position "I".

