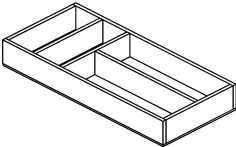


QOE CODE IS BOLD AND UNDERLINED
FOR EACH ACCESSORY

Notes

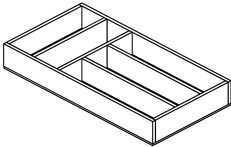
Wellsford Accessories

Custom Cutlery Tray Dividers 3/8" Solid Wood



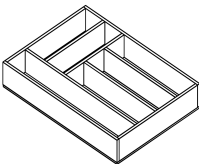
CUTA

For a B15, BD2D30 & BD2D33



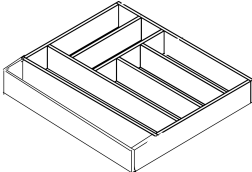
CUTB

For a B-18, B-21, 2-DRAWER 36, 39, 42 & 45



CUTC

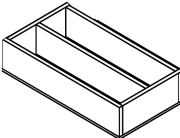
For a B-24, B-27 and 2-DRAWER 48



CUTD

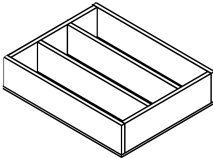
For a SINGLE DRAWER 30 THROUGH 39

Custom Utility Tray Divider 3/8" Solid Wood



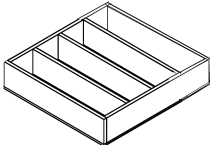
UTENE

For a B15, BD2D30 & BD2D33



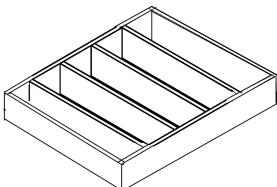
UTENF

For a B-18, B-21, 2-DRAWER 36, 39, 42 & 45



UTENG

For a B-24, B-27 and 2-DRAWER 48

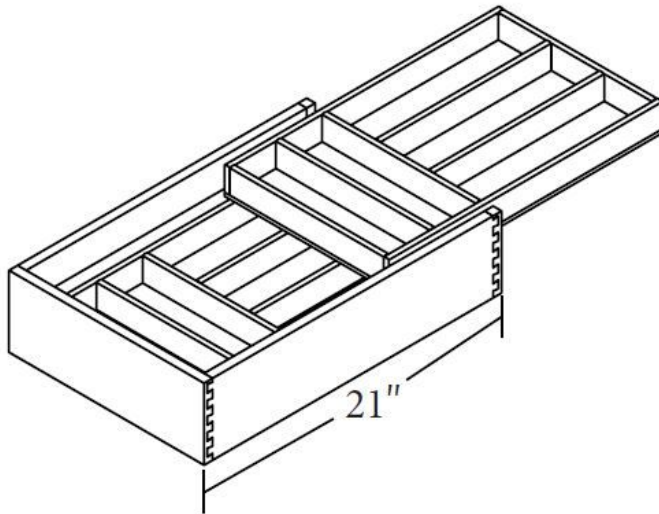


UTENH

For a SINGLE DRAWER 30 THROUGH 39

Double Cutlery

Configuration depends on drawer width
 Follows CUTA-D configurations
 For 24" deep cabinets
 All drawer box wood species available



DCUTA

For a B15, BD2D30 & BD2D33

DCUTB

For a B-18, B-21, 2-DRAWER 36, 39, 42 & 45

DCUTC

For a B-24, B-27 and 2-DRAWER 48

DCUTD

For a SINGLE DRAWER 30 THROUGH 39

Charging Drawer

CHARGE

Designed for 18" framed and frameless base cabinets
 Unit plugs into wall outlet by other
 Outlet must be positioned behind drawer
 2 120v plugs and 2 USB ports
 Soft close Blum glides



Styrene Cutlery



SCUTA

15"
cabinet



SCUTB

18"
cabinet



SCUTC

21"
cabinet



SCUTD

24"
cabinet

Styrene Utensil



SUTA

15"
cabinet



SUTB

18"
cabinet



SUTC

21 to 24"
cabinet

KNIFEBLOCK

Knife Block Insert
Up to 23" Wide Cabinet
4WKB1



Deluxe Knife Block Insert

KNIFEBLOCK
Up to 23" wide cabinet



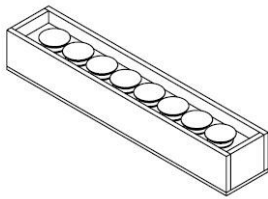
Sliding Bread Box Lid

BBL

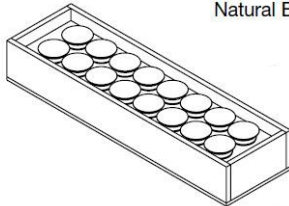
Routed into the drawer box sides
Clear acrylic lid

Pod Organizer insert

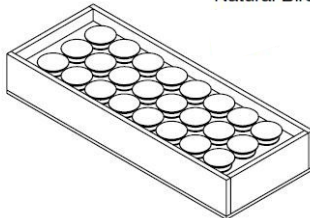
Natural Birch wood species
Walnut and Maple available as special order
For cabinets 21 to 24" deep
Can be combined with Cutlery and Utensil dividers



Single Insert Design:
Natural Birch



Double Insert Design:
Natural Birch



Triple Insert Design:
Natural Birch

PODA

Single Insert

PODB

Double Insert

PODC

Triple Insert

Pod Drawer

Designed for 18" base cabinets in framed and frameless
Maple wood species
Blum soft close glides

PODDRW



Spice Drawer Insert

SPICEDRWB18 Up to 18"

SPICEDRWB18

SPICEDRWB24 Up to 24"

SPICEDRWB24



Peg Drawer Organizer

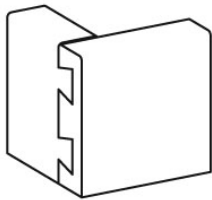
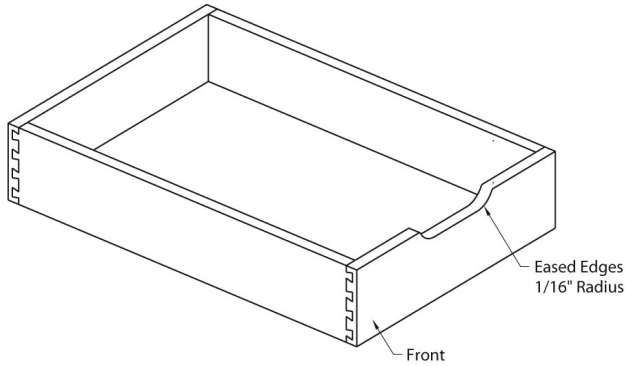


PEGDRW

REQUIRES 8.5" MINIMUM OPENING

*SUGGEST BD3EQ IF USING IN MIDDLE DRAWER

Rollout Trays



- Rollout trays can be added to any Base or Tall Cabinet.
- All rollouts are installed on the cabinet floor or onto an adjustable shelf.
- The glides are full extension soft close under-mounts.
- The rollouts are constructed with colonial dovetails
- The standard wood species is Beech.
- Wood species will follow drawer box selection.
- There are 3 different heights, 3", 4", and 6".
- A routed hand pull will be standard on all heights.

UPOT - 3" High

UPOT4 - 4" high

UPOTD - 6" High



Hafele Lemans Turnouts

LEMANS



Turnout for Blind Base cabinets
Soft Close
Restrictor Clip available for 90° opening.
Natural maple interior gets Maple tray
with champagne railing.
White cabinet interior gets white tray
with chrome railing.
Tray surface is non-skid
Can be used with top drawer blind base BBC or full door BBCFD.

Minimum Opening
Framed 15"
Frameless 15-1/4"



Shelf Mounted Wood Susan Trays



SUPERSUSAN

33" BLS = 4WLS40128B5 - Qty 2

36" BLS = 4WLS40132B5 - Qty 2

- For corner base cabinet Super Susan
- Can be used on pie cut and diagonal bases
- No poles
- Trays (2) are mounted to floor and adjustable shelf
- Wood trays are included.



- Full Round can be ordered as small as 10" round for wall cabinet bottoms.



WOODSUSAN10

4WLS001-10-B52

WOODSUSAN18

4WLS001-18-B52

MOUNTS TO FLOOR OR SHELF



WOODSUSAN20D

AX4WLS201-20-BS52

MOUNTS TO FLOOR OR SHELF
IN DIAGONAL CORNER WALL

Smart Susan



SMARTSUSAN



- For corner base cabinets
- Can be used on pie cut and diagonal bases
- No upper pole
- Wood trays are included.

33" BLS = PLS-D-8

2 - 28" Pie Shelves

BCFD = PLS-8

2 - 28" Round Shelves

36" BLS = PLS-D-10

2 - 32" Pie Shelves

BCFD = PLS-10

2 - 32" Round Shelves

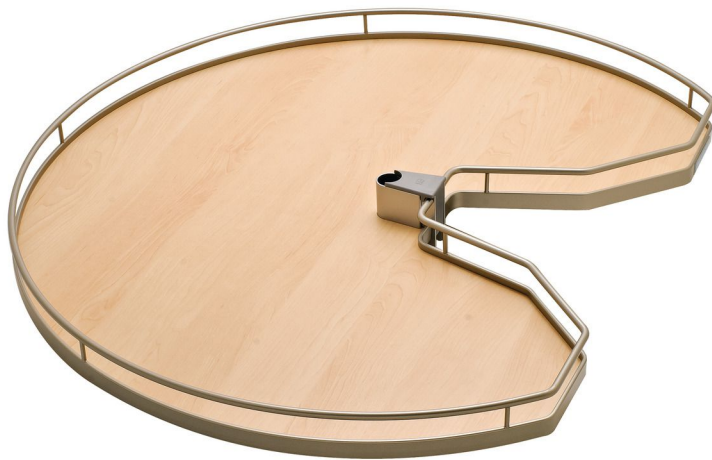
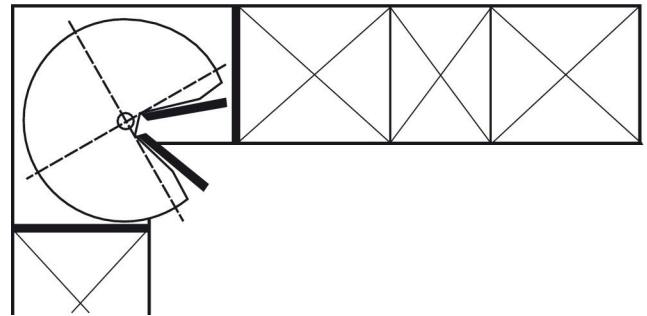


Suzie Q

SUZIEQ

- For corner base cabinets
- Frameless and Framed INSET only.
- Can be used on pie cut bases
- Champagne trays (2) are included.
- Must be 36" x 36" – no alternate sizing

Natural maple interior gets Maple tray with champagne railing.
White cabinet interior gets white tray with chrome railing.



Wall Susan w/ full pole



WALL SUSAN2 2 Plastic Shelves – 6012PA-18P

WALL SUSAN2WD 2 Wood Shelves – 4WLS0721852

WALL SUSAN3 3 Plastic Shelves – 6013PA-18P

WALL SUSAN3WD 3 Wood Shelves – 4WLS07318536

Hafele Twister Corner Wall Susan

- For corner wall cabinets
- Framed and Frameless.
- Champagne trays (2) are included.

TWISTER

Natural maple interior gets Maple tray with champagne railing.
White cabinet interior gets white tray with chrome railing.



July 2019

Wellsford Accessories

Half Moon Spin Out



- For Blind Base cabinets
- No upper pole
- Wood or Polymer trays are included

HALFMOONBBC42 = Wood 4WLS8823257

HALFMOONBBC42P= Polymer 6882PA-31P

HALFMOONBBC45 = Wood 4WLS8823557

HALFMOONBBC45P = Polymer 6882PA-33P

HALFMOONBBC48 = Wood 4WLS8823857

HALFMOONBBC48P = Polymer 6882PA-39P

Polymer



Wood

Mixer Lift

LIFTUPMIXCHR

RASMLHDCR

- Mixer shelf is 4-3/4" less than cabinet opening.
- Shelf is natural maple
- Other shelf species are available – please specify.
- Cannot have top drawer.
- Bottom rollout must be ordered separate.

*Requires full height door



Tray Dividers



TRAYDIV

Chrome Wire

597-18-CR-52

Specify location if ordering
More than one in a cabinet.

If ordering one in a cabinet,
divider will be centered



TRAYDIVWD

Wellsford Accessories

Door Mount Spice Rack



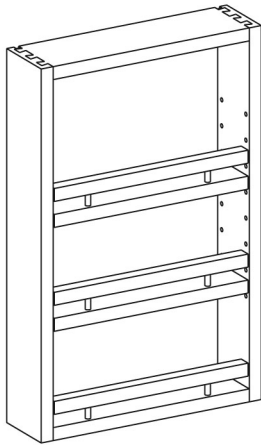
DOORMTSPICEW15 = 4SR15

DOORMTSPICEW18 = 4SR18

DOORMTSPICEW21 = 4SR21

Allows for full depth cabinet shelves

Deluxe Spice Rack



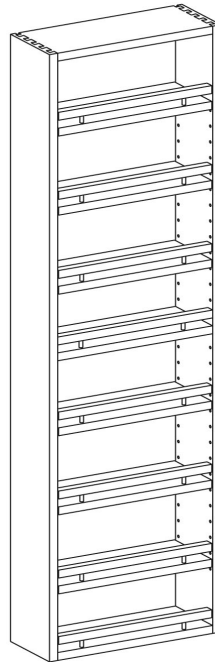
SPICERACK

Shelves Per Unit	
Unit Height	# Per Unit
18" - 23"	2
23-1/16" - 31"	3
31-1/16" - 36"	4

- Height range 18" to 36"
- Width range 8" to 21"
- Depth is 3-1/8"
- Natural maple
- Other species available on request

Cabinet shelves are reduced to allow for Depth of spice rack.

Deluxe Can Rack



CANRACK

- Units over 39" high have fixed center shelf
- Height range 21" to 60"
- Width range 8" to 21"
- Depth is 5"
- Natural maple
- Other species available on request

Shelves Per Unit	
Unit Height	# Per Unit
21" - 23"	2
23-1/16" - 31"	3
31-1/16" - 39"	4
39-1/16" - 47**	5
47-1/16" - 55**	6
55-1/16" - 60**	7

**Units over 39" include 1 fixed shelf

Cabinet shelves are reduced to allow for Depth of spice rack.

Pull Out Filler

Front Filler Included

Designed to fit between Cabinets

Must use panel next to appliance



3” Pullout Soft Close Base Filler

POFILLERB3SC – 432BFBBSC-3C

6” Pullout Soft Close Base Filler

POFILLERB6SC – 432BFBBSC-6C

3” Pullout Soft Close Wall Filler

30” H - **POFILLERW303** - 432WF3C

36” H - **POFILLERW363** - 432WF363C

42” H - **POFFILERW423** – 432WF423C



6” Pull Out Soft Close Wall Filler

30” H - **POFILLERW306** – 432WF6C

36” H - **POFILLERW366** – 432WF366C

42” H - **POFILLERW426** – 432WF426C

Pull Out Organizer

*Requires full height door



3 Shelf Organizer Soft Close

6" Cabinet

POORGB6 – 438-BCSC-3C

9" Cabinet

POORGB9 – 448-BCBBSC-5C

12" Cabinet

POORGB12 – 448-BCBBSC-8C



*Requires full height door

Foil Wrap / Tray Divider Soft Close

9" Cabinet

POWRAP9 – 447BCSC-5C

12" Cabinet

POWRAP12 – 447BCSC-8C

Pull Out Utensil

*Requires full height door



Soft Close

9" Cabinet

POUTB9 – 448UT-BCSC-5C

12" Cabinet

POUTB12 – 448UT-BCSC-8C

Pull Out Utensil w/ Knife Block

Soft Close

*Requires full height door

12" Cabinet

POUTKB9 – 448UT-BCSC-5C

15" Cabinet

POUTKB12 – 448UT-BCSC-8C



Wellsford Accessories

July 2019

Pull Out Pantry



POPANTRY9

9" Wide Framed
7" to 9" Frameless
448-TPXX-5-1

POPANTRY12

12" Wide Framed
10" to 12" Frameless
448-TPXX-8-1

POPANTRY15

15" Wide Framed
13" to 15" Frameless
448-TPXX-11-1

POPANTRY18

18" Wide Framed
16" to 18" Frameless
448-TPXX-14-1



XX = Opening Height

43 3/8" to 51 7/8" = 43

50 7/8" to 59 3/8" = 51

58 3/8" to 66 7/8" = 58

July 2019

Wellsford Accessories



Pantry Pull-out (Hafele)

POHKP

Available in openings from 31-1/2" to 90-1/2" high
For Cabinet Widths from 12" to 24"

For 24" deep cabinets

Deeper cabinets will have additional space in rear

Adjustable trays

Order trays separately

Soft open, soft close

Champagne finish

Trays for Hafele Pantry Pull-out

Natural Maple Interior will have Champagne with Natural Maple shelf

White interior will have Chrome with White shelf

Add 1/2" to shelf size for minimum cabinet opening

- POHKSK8** = Pair of 8" shelves
- POHKSK10** = Pair of 10" shelves
- POHKSK11** = Pair of 11" shelves
- POHKSK13** = Pair of 13" shelves
- POHKSK14** = Pair of 14" shelves
- POHKSK16** = Pair of 16" shelves
- POHKSK17** = Pair of 17" shelves
- POHKSK19** = Pair of 19" shelves
- POHKSK20** = Pair of 20" shelves
- POHKSK22** = Pair of 22" shelves



Chef Pantry

CHEFPANTRYTP36

4WP1845KIT

DESIGNED FOR 36" WIDE PANTRY



Base Pull-out (Hafele)

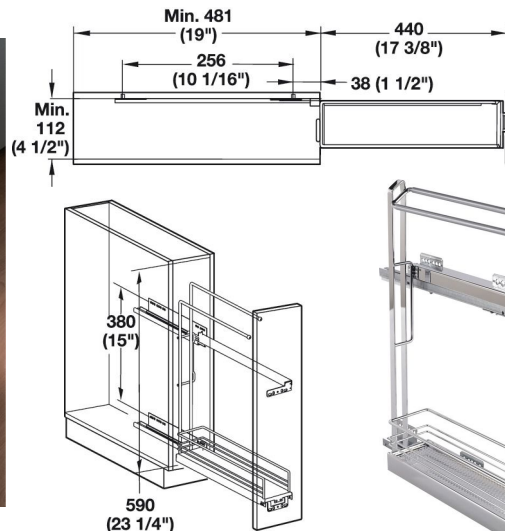
POHKB

Available in openings from 31-1/2" to 90-1/2" high
 For Cabinet Widths from 12" to 24"
 For 24" deep cabinets
 Deeper cabinets will have additional space in rear
 Adjustable trays
 Order trays separately
 Soft open, soft close
 Champagne finish

Trays for Hafele Base Pull-out

Natural Maple Interior will have Champagne with Natural Maple shelf
 White interior will have Chrome with White shelf
 Add 1/2" to shelf size for minimum cabinet opening

- POHKS4** = Pair of 4" shelves
- POHKS5** = Pair of 5" shelves
- POHKS7** = Pair of 7" shelves
- POHKS8** = Pair of 8" shelves
- POHKS10** = Pair of 10" shelves
- POHKS11** = Pair of 11" shelves
- POHKS13** = Pair of 13" shelves
- POHKS14** = Pair of 14" shelves
- POHKS16** = Pair of 16" shelves
- POHKS17** = Pair of 17" shelves
- POHKS19** = Pair of 19" shelves



Pull-out Tray

HTRAY



Sink Organizer

Specify Left or Right door



BS30

SINKORG30 = 4SBSU-15

BS36

SINKORG36 = 4SBSU-36



SINKCADDY

544-10C



BS30

SINKORGBAG30 = 4SPBD-15

BS36

SINKORGBAG36 = 4SPBD-18

Tilt Tray



TILT



Stainless Steel Slim Line
6541

Now soft-close!

Door Mount wire tray

UT9-W



PULL-OUT TOWEL RACK

TOWEL



TPOD15

Double 27 Qt for 15" cabinet
53WC-1527SCDM-213
Soft Close



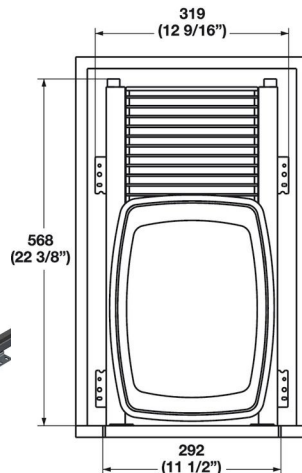
TPOS15

Single 35 Qt. for 15" cabinet
4WCBM-15DM-1
Soft open & Close



TPOSK15

Single 36 Qt. for 15" cabinet
502.56.822
Kesseböhmer Soft Close
Champagne / Champagne



TPOS15B

Single 35 Qt. for 15" cabinet
4WCSC-1535DM-1
Blum Soft Close

* Can be used in 21" deep cabinet



TPOD18

Double 35 Qt. for 18" cabinet
4WCBM-18DM-2
Soft Open & Close



Optional Lid Shown

TPOD18B

Double 35 Qt. for 18" cabinet
4WCSC-1835DM-2
Blum Soft Close



TPOD18BTIP

Double 35 Qt. for 18" cabinet
4WCSC-1835DM-2 (4WC-
TOKIT-18)
Blum Soft Close with TIP-ON open



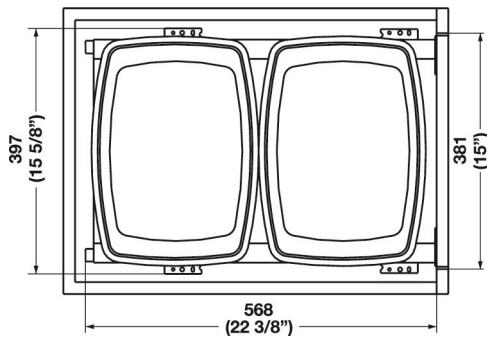
TPOD18BSD

Double 35 Qt. for 18" cabinet
WCSD-1835DM-2
ELECTRIC SERVO-DRIVE
Blum Soft Close



**Optional
Lid Shown**

Requires Cabinet Back Modification
And 110v Connection



TPODK18

Double 36 Qt. for 18" cabinet

502.56.840

Kessebohmer Soft Close
Champagne / Champagne



TPOD50

Double 50 Qt. FOR 21" cabinet

4WCBM-2150D

Soft Open and Close

Need full height door – no drawer



TPOD24

Double 30 Qt. for 24" cabinet

4WCBM-2430DM-2

Soft Open and Close



TDM18

Door Mount Trash -15 Liter
8-010314-15



TFM12

Floor Mount
Under Sink Double Trash
8-785-30-2SS



Under Sink Mat

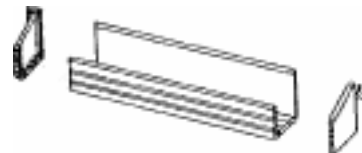
Protects cabinet floor from spills and leaks
Max cabinet floor 45-1/4" wide, 24-5/8" deep

- MATW = White
- MATS = Gray/Stainless
- MATNM = Natural Maple color



SPONGE TRAYS – DOOR MOUNT

SPONDR



AX6571PA-36B
AX6571PA-72B

Pull Out Hamper



POHAMPERA
4WHRM15-DM1

1.71 Bushel Hamper with lid
Soft Open Soft Close

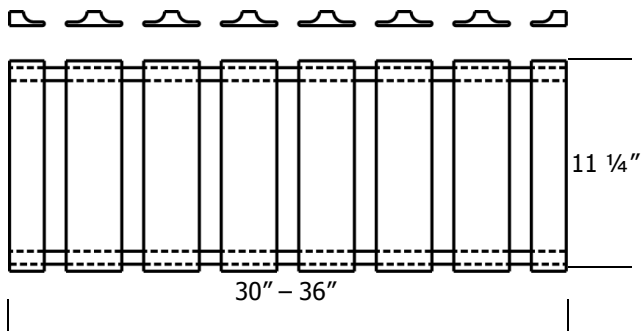
VB18 34 ½" High



POHAMPERB
Silver
CH-241419-RM-217

VB27 34 ½" High

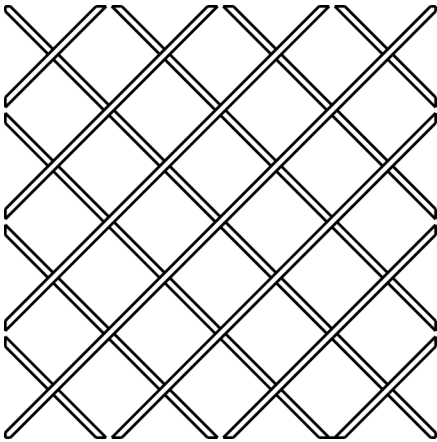
Stemware



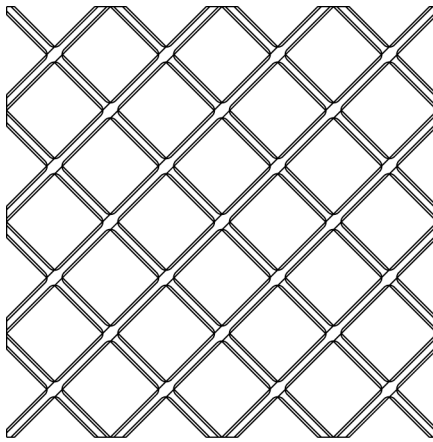
STEM30

STEM36

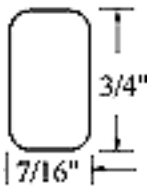
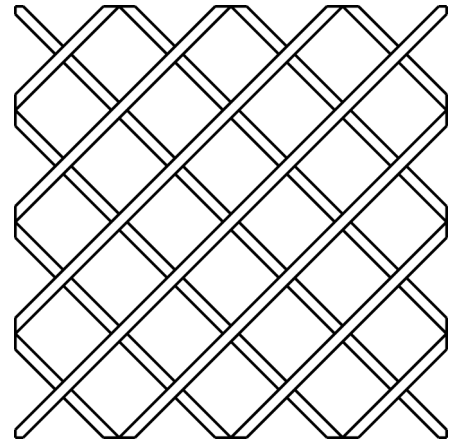
Wine Lattice Standard



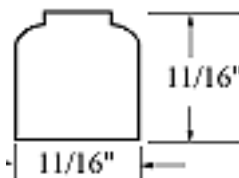
Wine Lattice Deluxe



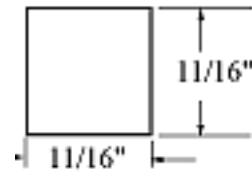
Wine Lattice Square



70% of Cabinet

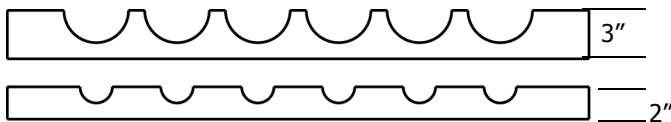


100% of Cabinet



70% of Cabinet

Half Round Wine



HRWINE30

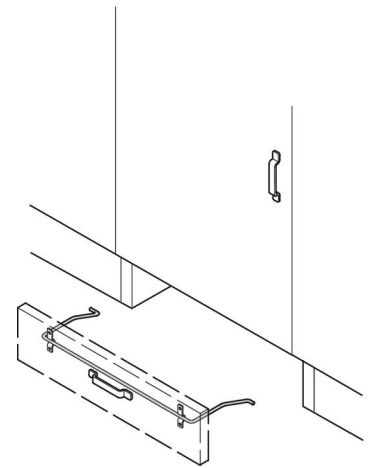
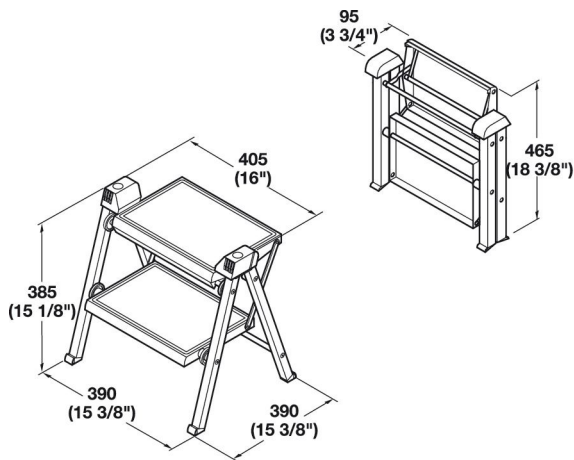
HRWINE36

STEP STOOL

STEP

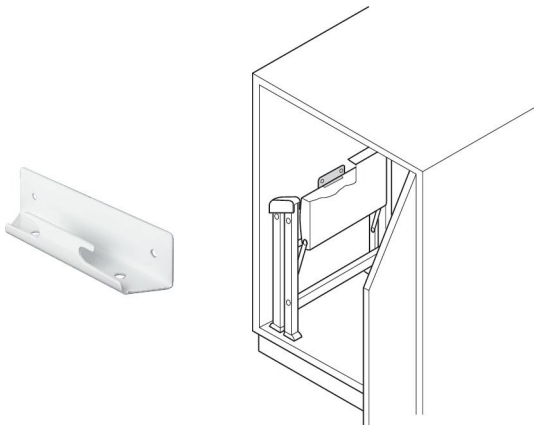


330 lb. weight capacity
Set up for storage in toekick
4" toekick is required



Mounting Bracket for hanging inside cabinet

STEPBRACKET



Steel Support

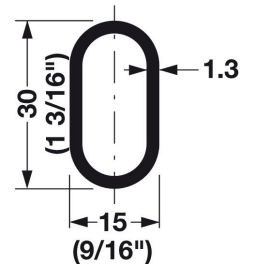
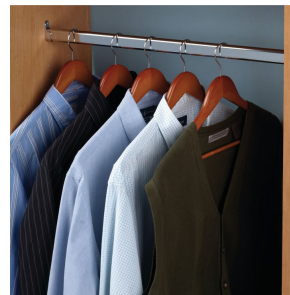


Use for concealed support of countertop overhang
Made by Fast Cap company
Available in Black and White

SCS = Steel counter support
SCSC = Steel counter support with cabinet prep

Hanging Rod

Matt Nickel finish
8' long
Shipped loose
Install by other
Two end supports are included



File System